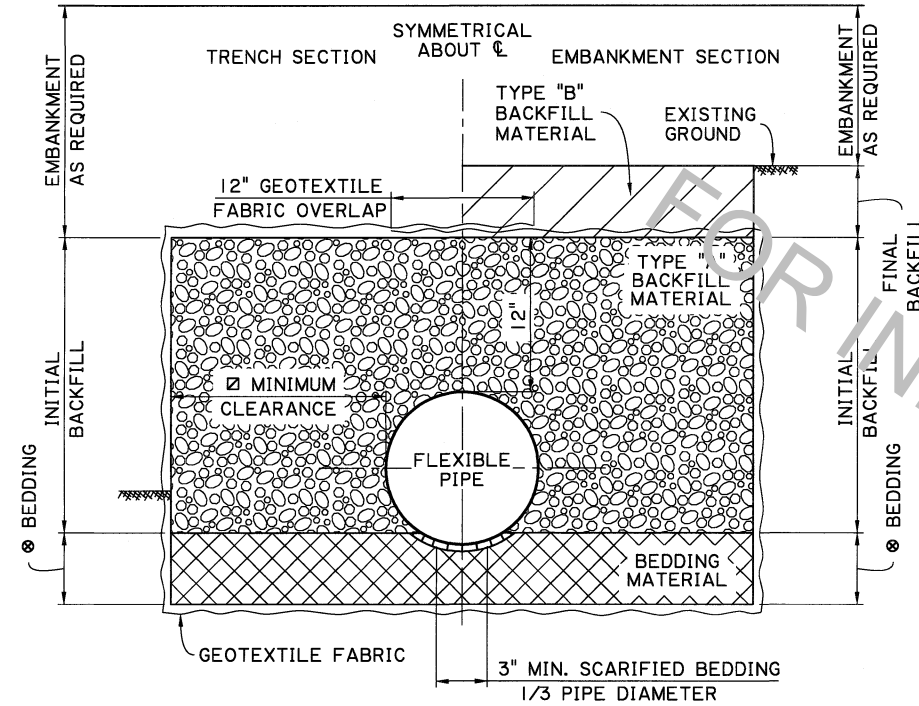


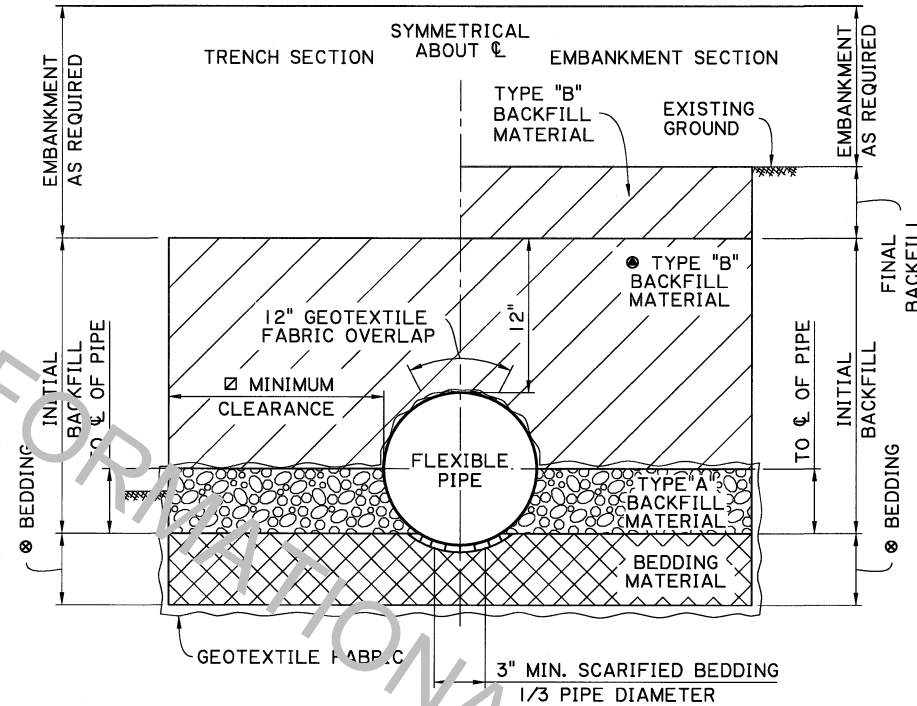


MINIMUM TRENCH CLEARANCE		
TYPE OF PIPE	INSIDE DIAMETER	MIN. CLEARANCE
REINFORCED CONCRETE PIPE	ALL	18"
FLEXIBLE PIPE	<48"	18"
FLEXIBLE PIPE	≥48"	24"

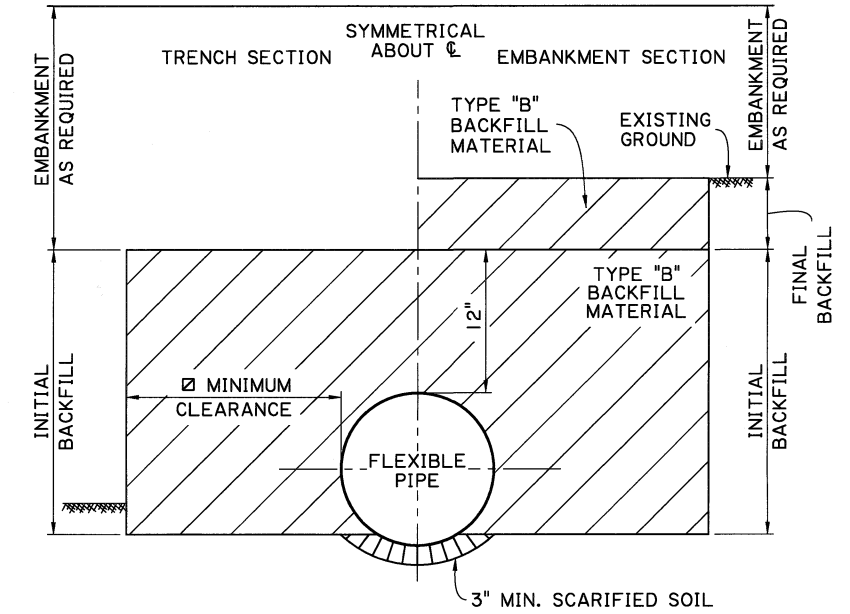
- MINIMUM BEDDING MATERIAL THICKNESS UNDER PIPE IS 6 INCHES UNLESS OTHERWISE SHOWN ON PLANS OR AS DIRECTED BY THE PE.
- ▲ THE NEED FOR BEDDING MATERIAL SHALL BE EVALUATED BEFORE IT IS USED.
- REFER TO NOTE 3 ON SHEET 1 OF THIS SERIES.



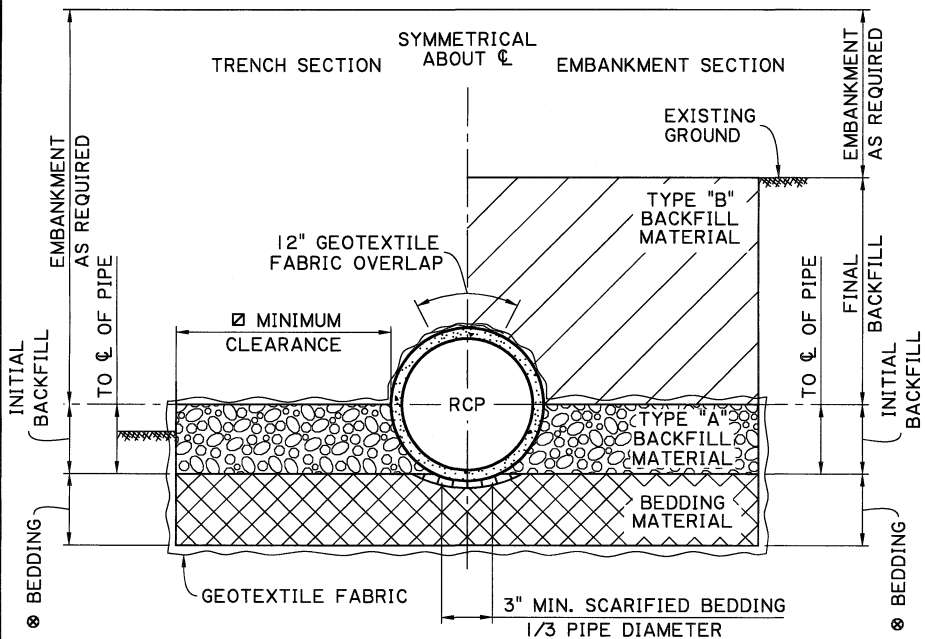
**FLEXIBLE PIPE CROSS DRAIN**  
TRENCH AND EMBANKMENT INSTALLATIONS  
SCALE: 1/2"=1'-0"



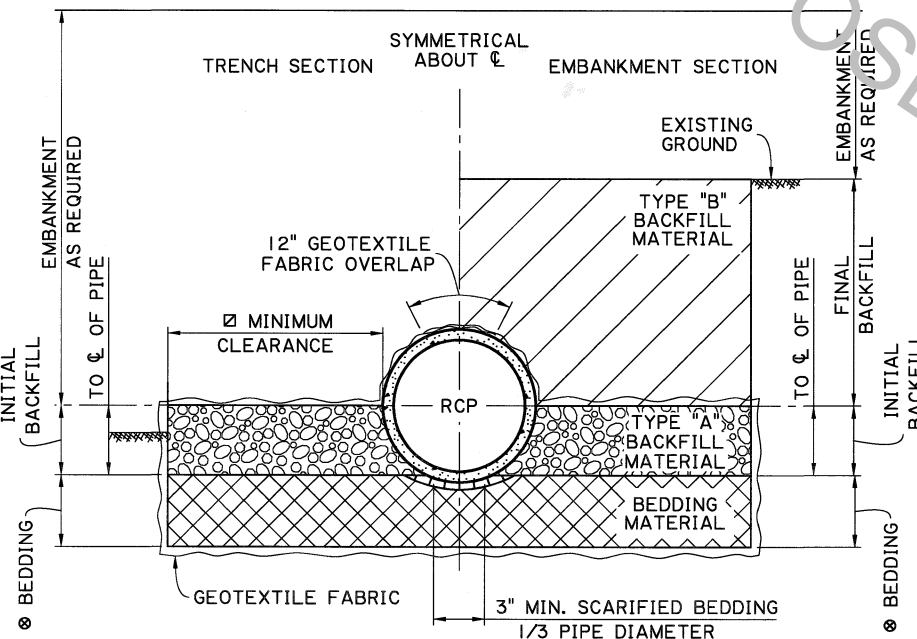
**FLEXIBLE PIPE STORM DRAIN**  
TRENCH AND EMBANKMENT INSTALLATIONS  
SCALE: 1/2"=1'-0"



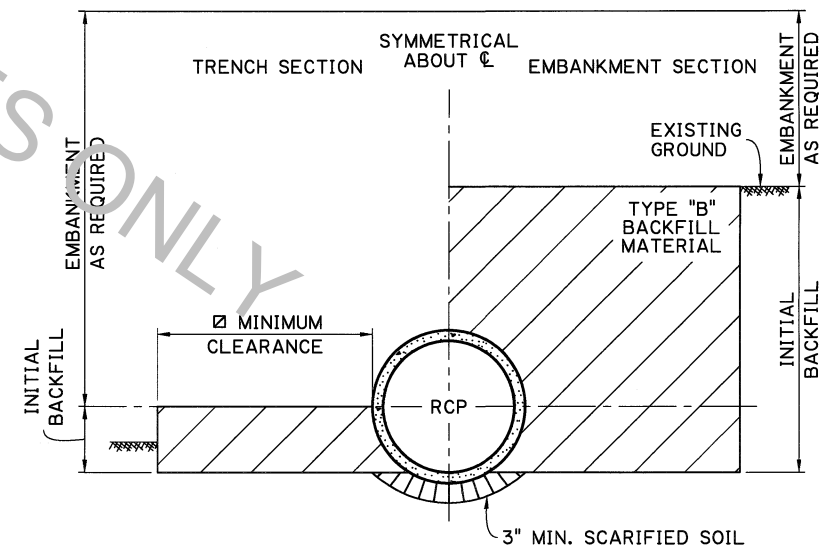
**FLEXIBLE PIPE SIDE DRAIN**  
TRENCH AND EMBANKMENT INSTALLATIONS  
SCALE: 1/2"=1'-0"



**REINFORCED CONCRETE PIPE CROSS DRAIN**  
TRENCH AND EMBANKMENT INSTALLATIONS  
SCALE: 1/2"=1'-0"



**REINFORCED CONCRETE PIPE STORM DRAIN**  
TRENCH AND EMBANKMENT INSTALLATIONS  
SCALE: 1/2"=1'-0"



**REINFORCED CONCRETE PIPE SIDE DRAIN**  
TRENCH AND EMBANKMENT INSTALLATIONS  
SCALE: 1/2"=1'-0"

SHEET NUMBER		PARISH		CONTROL SECTION		STATE PROJECT	
DESIGN	CHECK	DETAIL	L.F.H.	AMN	C.J.N.	SERIES # 12 OF 2	
				APPROVED BY CHIEF ENGINEER:  DATE: 11/16/2021			
DRAINAGE STRUCTURES TYPICAL SECTIONS FOR CROSS DRAINS & SIDE DRAINS STANDARD PLAN BM-01							
PAVEMENT & GEOTECHNICAL SERVICES							